



EAT

European Audio Team

INSTRUCTIONS FOR USE

E.A.T. Prelude

Dear Music Lover,

Congratulations and thank you for choosing European Audio Team Products. Your

E.A.T. Prelude turntable has been handcrafted and rigorously tested by skilled technicians at the European Audio Team factory to give you years of enjoyable, trouble free service.

Although it may seem like asking for driving directions, please take a few moments to read all of this manual. It has many helpful tips and ideas on properly setting up and using your system. We promise that if you take the time to read and follow these tips you'll get better system performance and enjoyment. Please contact your dealer if you require additional assistance.

The Prelude incorporates an array of features that contribute to its audiophile performance:

1. Proprietary ultralow noise AC motor and high precision frequency DC-driven AC generator for speed stability. Free-standing motor with no connection to the board. The heavy motor base with weight 1.5kg.
2. The platter with TPE damping and felt mat with belt drive principle. The platter is constructed from an aluminum magnesium alloy sitting on a brass bearing.
3. The tonearm construction is combination of conical carbon fibre tonearm tube (casted in single peces), cardan bearing in horizontal axle with hardened tips sitting in zircon bowl and ABEC7 ballraces in vertical axle. The counterweight is damped with thermo-plastic elastomer (TPE) damping pad.
4. All key features for cartridge alignment and adjustability are available on the tonearm - VTA/SRA, VTF, azimuth, anti-skate, and a slotted carbon headshell for overhang and offset angle.
5. The conical feet with thermo-plastic elastomers (TPE) damping.

Important:

Your turntable was shipped partially disassembled in order to avoid damage to sensitive parts. Please check immediately to make sure that neither the packaging nor the device was damaged in transit. If you are missing parts or if the unit is damaged, please do not operate and contact your dealer.



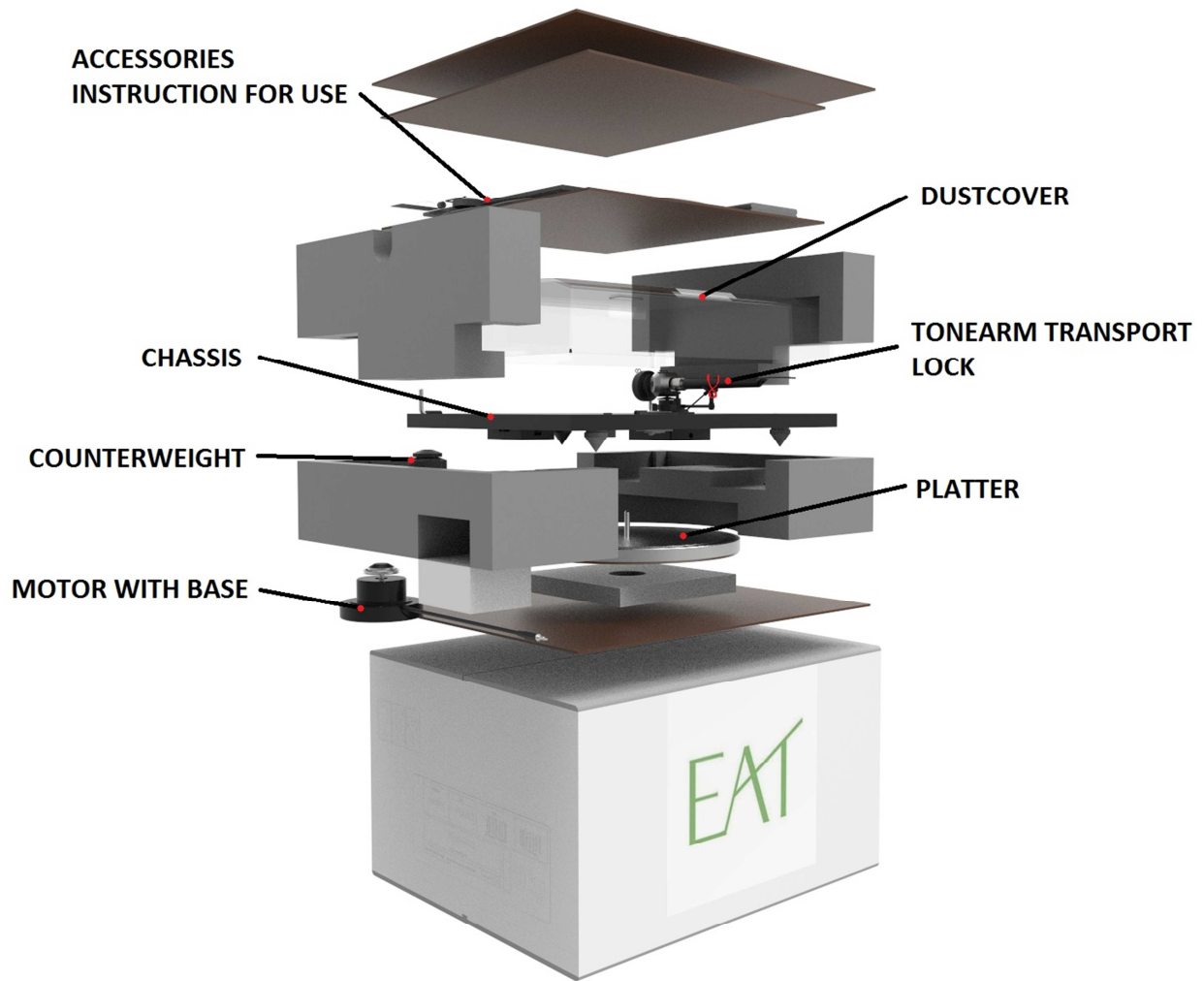
Throughout the manual, this symbol will alert you to potential hazards for the user or the unit, and how to avoid possible misuse.

Contents

Packaging layout	4
Product illustrations and key	5-6

Setup

1. Motor installation	7
2. Platter and drive belt installation	7-8
3. Tonearm assembly	8
a) Cartridge installation	8-9
b) Counterweight installation, Vertical Tracking Force setting (VTF)	9
c) Tonearm output connection	9-10
d) Vertical Tracking Angle setting (VTA)	10
e) Azimuth setting	10-11
f) Anti-skating assembly and adjustment	11-12
4. Leveling the turntable	12
5. Starting the motor, changing the speed	13
Technical specifications	14
Troubleshooting, warranty, service	15

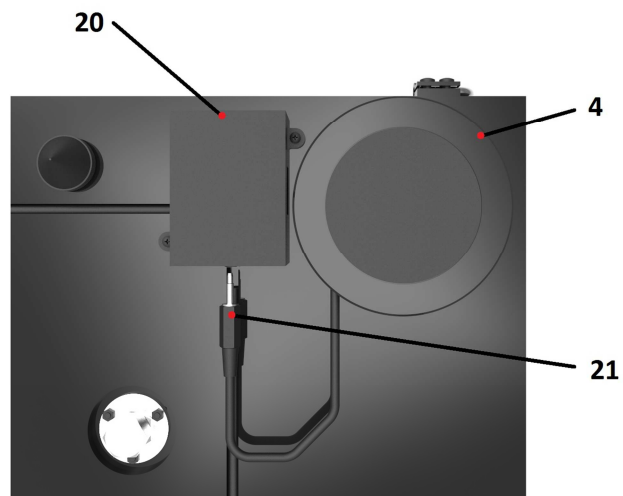
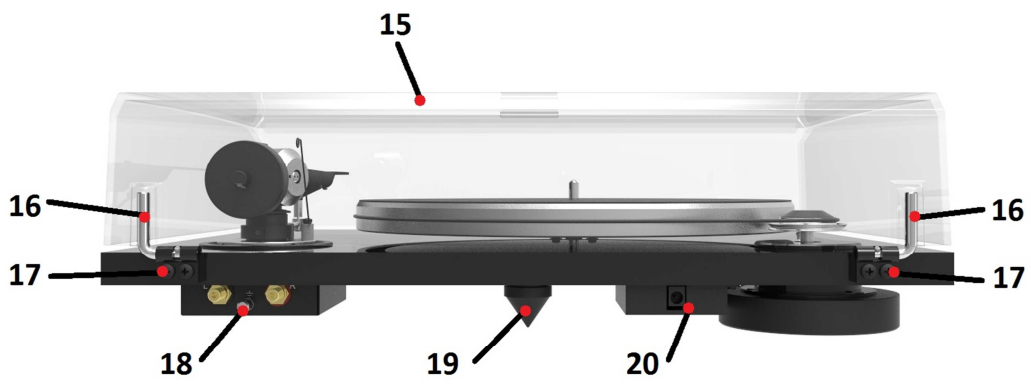
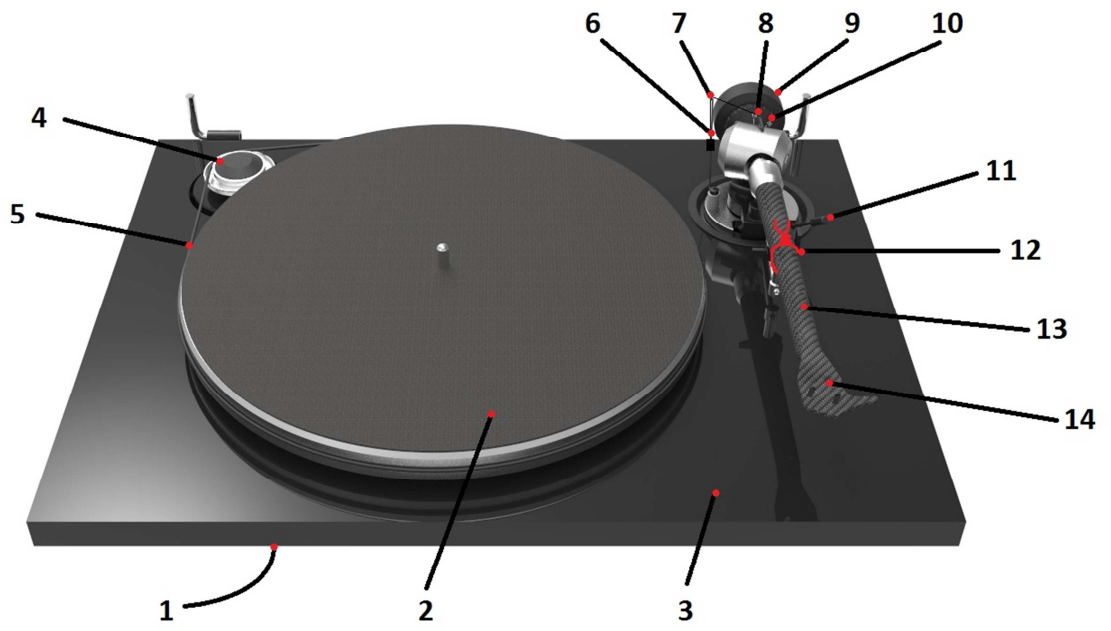


Please do your part to help protect the environment:

Disposal of packaging material

E.A.T. packaging is carefully designed to protect your component from damage in transit and **you are strongly urged to keep the original packaging in order to safely ship or otherwise transport your turntable in the future.**

However, the packaging materials were chosen to be environmentally friendly, so if you must discard the packaging, please recycle.



KEY: CONTROLS, FEATURES AND CONNECTIONS

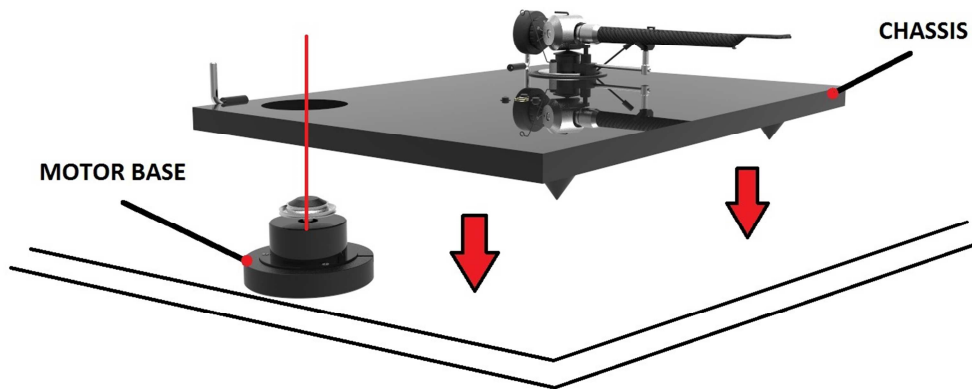
1. ON/OFF switch
2. Platter with felt mat
3. Chassis
4. Motor base with motor and double step pulley
5. Drive belt
6. Anti-skating weight with wire
7. Anti-skating weight support hoop
8. Anti-skating stub with adjustment scale
9. Tonearm counterweight
10. Downforce scale
11. Tonearm lift lever
12. Tonearm rest with removable transport lock
13. Tonearm tube
14. Headshell
15. Dustcover
16. Dustcover hinge
17. Dustcover hinge fasteners
18. RCA output with earth connection
19. Damped adjustable feet
20. Power supply socket
21. Motor connection cable with 3.5mm Jack connector

SETUP

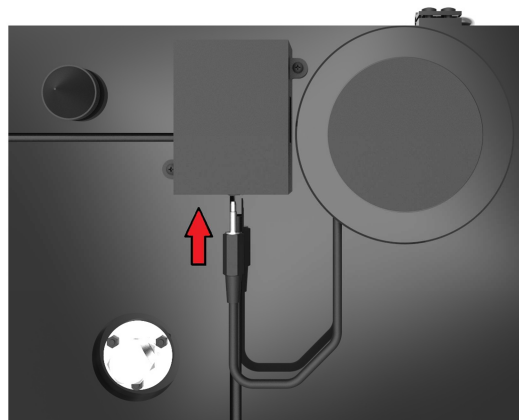
1. Motor installation

Remove the complete **motor base (4)**, (including motor, pulley and connection cable) from the packaging and place it to the required position on the place where turntable will be installed.

Install the turntable chassis over the motor base. Motor base should be in the middle of the hole in left rear corner of the chassis as shown in the following illustrations.



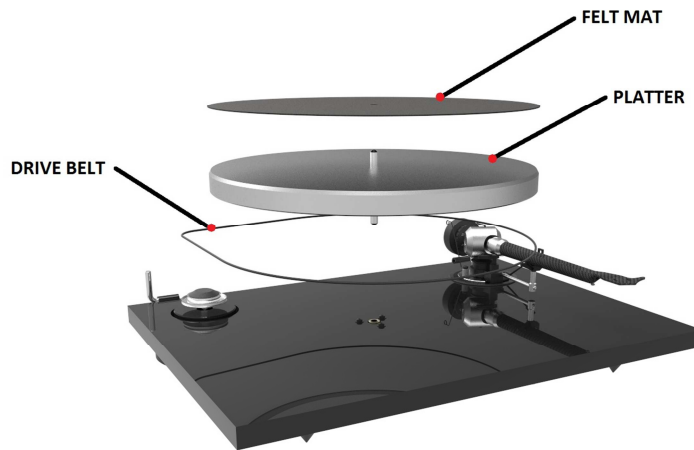
Connect the motor connection cable to the power socket as shown in the following illustration.



2. Platter and drive belt installation

Remove the protective cover from the platter bearing shaft.

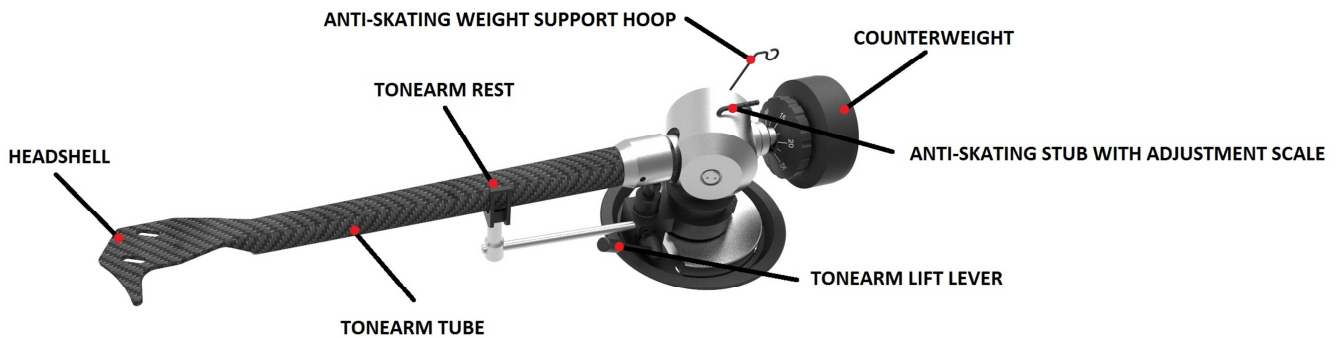
Install the **platter (2)** and the **drive belt (5)** as shown in the following illustrations.



3. Tonearm assembly

The tonearm includes a combination of cardan bearings in horizontal axle and Japanese ball bearings in vertical axle.

See the next steps to set up your tonearm.



a) Cartridge installation

* If you purchased this turntable in a package that included the cartridge, this has already been done for you.

Install the cartridge into the carbon headshell, using the appropriate hardware included with your cartridge.

Connect the cartridge as indicated below:

- White left channel L+
- Red right channel R+
- Green right channel R-
- Blue left channel L-

For correct cartridge alignment, use the two-point cartridge alignment protractor provided with your Prelude accessories. If unfamiliar with two-point setup, please refer to your dealer.

b) Counterweight installation, Vertical Tracking Force setting (VTF)

The **counterweight (6)** supplied is suitable for cartridges weighing between 7 - 11g.

Pushing carefully, turn the counterweight onto the rear end of the tonearm tube (7), so that the **downforce scale (10)** shows towards the front of the player. Lower the tonearm lift and position the cartridge in the space between tonearm rest and platter. Carefully rotate the counterweight until the tonearm tube balances out. The arm should return to the balanced position if it is moved up or down. This adjustment must be done carefully. Do not forget to remove the cartridge protection cap if fitted.

Once the arm is correctly balanced return it to the **tonearm rest (12)**. Hold the counterweight without moving it, and gently revolve the downforce scale ring until the zero is in line with the **anti-skating stub (8)**. Check whether the arm still balances out.

Rotate the counterweight counter clockwise (seen from the front) to adjust the downforce according to the cartridge manufacturer's recommendations. One mark on the scale represents 1 mN (= 0.1g / 0.1 Pond) of downforce.

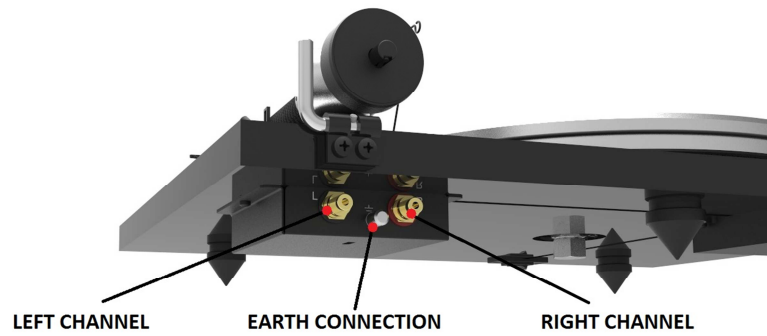


Please note: Adjust the downforce prior to installing the anti-skating weight.

The recommended downforce for the factory fitted cartridge Ortofon 2M RED is 18mN.

c) Tonearm output connection

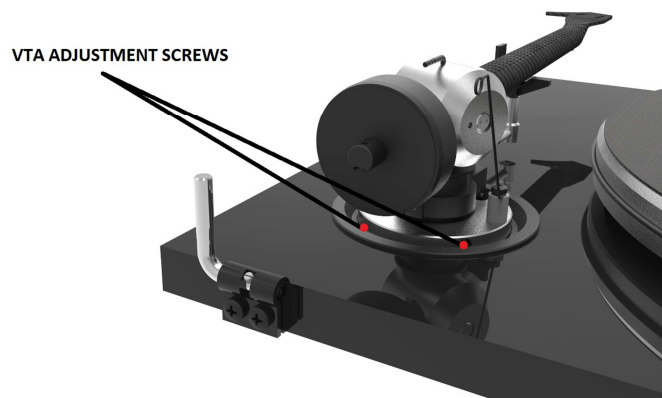
Connect the tonearm cable provided with the accessories to the RCA tonearm output that is located at the rear of the turntable, behind the tonearm. Connect the grounding cable on the earth connection screw.



d) Vertical Tracking Angle setting (VTA)

To set the Vertical Tracking Angle, first put a record on the platter. When the needle is lowered into the record groove, the tube of the tonearm should be parallel to the surface of the record. If it is not, loosen both hexagonal screws in the tonearm base just enough to allow vertical movement of the arm pillar without force, and slide the arm up or down until it is parallel.

Carefully and evenly retighten the hexagon screws *without applying excessive force* (which could deform the arm pillar).



e) Azimuth setting

The cartridge needle must be perpendicular to the record in order to trace the groove wall modulations correctly.

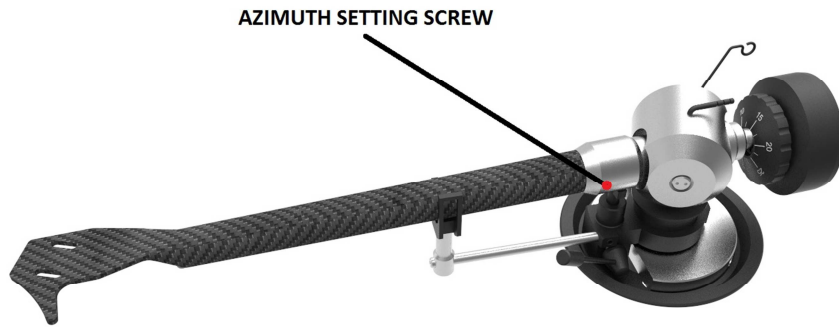
The azimuth (angle) is precisely set by the factory. In the event that you need to modify this setting, however, follow the instructions below.

Loosen the small AZIMUTH SET SCREW, again using the 1.5 mm hexagonal key.



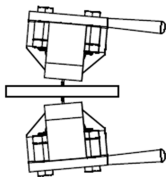
DO NOT REMOVE THE AZIMUTH SET SCREW COMPLETELY!

Loosen the screw just enough to be able to gently rotate the arm tube and set the azimuth to the correct position. The correct position can be checked from the front view, preferably with the needle placed on a mirror placed on the platter. Once the azimuth setting is correct, gently re-tighten the AZIMUTH SETTING SCREW.

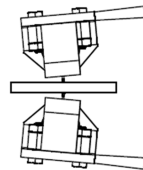


Examples of incorrect azimuth setup:

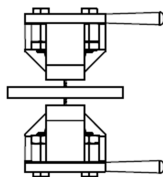
Too much left angle:



Too much right angle:



The correct position is 100% perpendicular to the record.



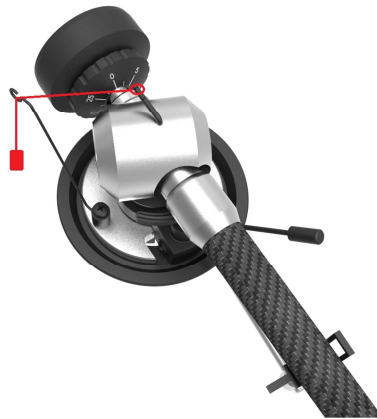
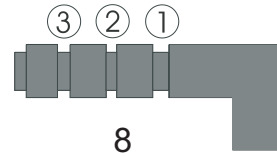
f) Anti-skating assembly and adjustment

Hang the loop of the thread of the anti-skating weight in the groove of the **anti-skating stub (8)** corresponding to the downforce applied to your cartridge and feed the thread through the loop

of the **wire support (7)**.

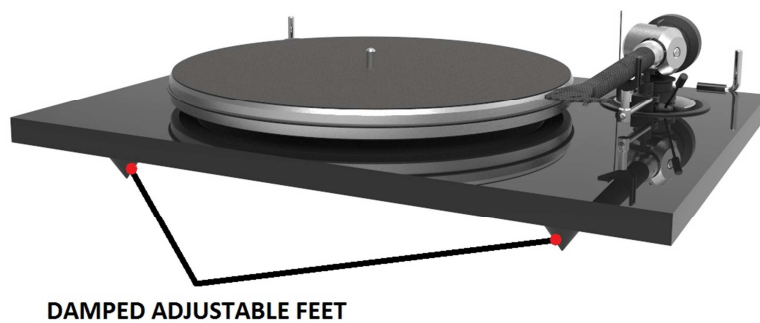
The anti-skating force must be adjusted corresponding to the downforce as follows:

<u>Downforce</u>	<u>Groove in the stub (8)</u>
10 - 14mN	1 st from bearing rings
15 - 19mN	2 nd " " "
20mN and bigger	3 rd " " "



Be careful when handing the anti-skating thread in order to avoid damaging it

4. Leveling the turntable

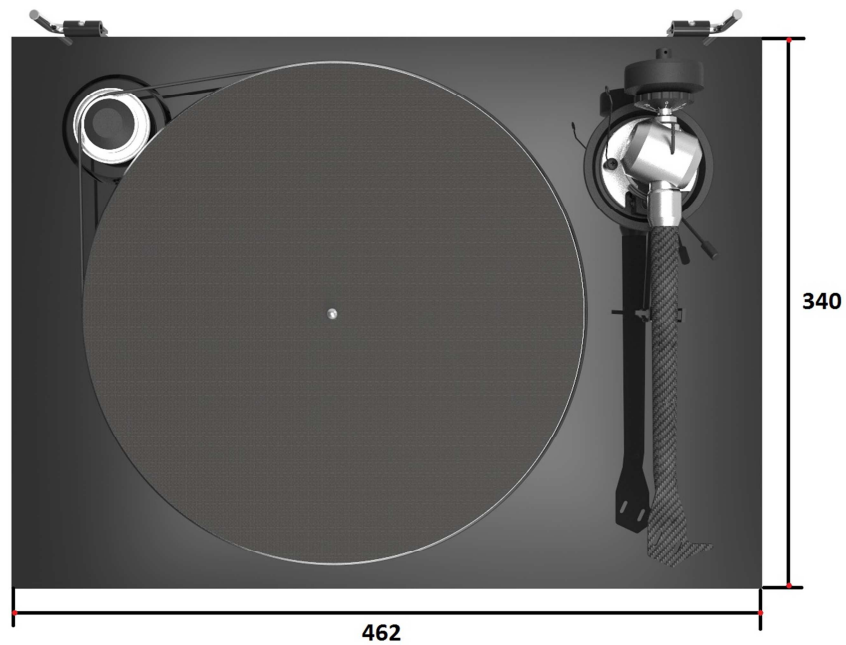


Three precision adjustable damped feet are mounted under the turntable for leveling the turntable. Once the turntable is in final position, put the spirit level on the sub-chassis, and then level the turntable by screwing or unscrewing the feet as needed. It is advisable to check level from several positions on the chassis.

5. Starting the motor, changing the speed

Controlling the turntable:

- To start rotation of the platter, press the button **ON/OFF switch (1)**
- To play 45 r.p.m., put the **drive belt (5)** over the larger diameter part of the motor pulley using accessory toll provided. To revert to 33r.p.m. repeat the proceedings using the smaller step on the pulley.



Model	PRELUDE
Nominal speed	33/45 rpm, manual speed change
Speed variance	33rpm: $\pm < 0.15\%$, 45rpm: $\pm < 0.13\%$
Wow and flutter	33rpm: $\pm < 0.1\%$, 45rpm: $\pm < 0.09\%$
Signal to noise	S/N Ratio (mechanical noise): - 40 dB S/N Ratio (electrical noise): -67 dB
Downforce range	0 - 30 mN 0 - 3.0 grams
Supplied counterweight system	Counterweight (black) → for cartridges 7 - 11 g
Effective tonearm mass	8 g
Effective tonearm length	230 mm
Overhang	18 mm
Power consumption	5 W max/ 0.3W standby
Voltage	Universal switch mode power supply 15 V DC/0.8 A, 100-240 V AC, 47 - 63Hz
Dimensions (W x H x D)	462 x 340 x 110mm without dustcover, 462 x 340 x 125mm closed dustcover 462 x 430 x 390mm opened dustcover
Weight (without box)	8 kg (turntable)
Weight (with box)	12 kg

Troubleshooting

The platter doesn't turn although the unit is switched on:

- The unit is not connected to the mains power supply (the building's electrical system).
- No mains power is being delivered at the socket.
- The drive belt is not fitted properly or has slipped off.

No signal through one or both channels:

- No signal contact from the cartridge to the internal tonearm wiring; or from that to the arm lead; or from that to the phono box; or between that and the amplifier. This could be due to a faulty plug, broken wire or loose solder joint in the plug/socket connection.
- Phono input not selected at amplifier.
- Amplifier not switched on.
- Amplifier or speakers are defective or muted.
- No connection to the loudspeakers.

Strong hum on phono input:

- No ground connection from cartridge or arm or arm cable to amplifier, or ground loop.

Distorted or inconsistent sound from one or both channels:

- Turntable is connected to wrong input of amplifier, or MM/MC switch is incorrectly set. Needle or cantilever damaged. Wrong rpm; drive belt overstretched or dirty; platter bearing needs lubrication or is dirty or damaged.

Service

Should you encounter a problem that you are not able to identify or alleviate despite the above information, please contact your dealer for further advice. Only when the problem cannot be resolved should the unit be sent to the responsible distributor in your country.

Guarantee repairs will only be effective if the unit is returned in appropriate packaging. For this reason we recommend keeping the original packaging.

Never return a turntable without making sure that it is properly disassembled and correctly packaged in the original packaging according to the supplied diagram. Please: Remove the feet, counterweight, platter, cartridge and belt and pack them separately. Fit the cartridge protection cap. Insert the transport lock for the tonearm prior to carefully packaging the turntable.

Warranty

The manufacturer accepts no responsibility for damage caused by failing to adhere to these instructions for use and/or by transportation without the original packaging. Modification or change to any part of the product by unauthorized persons releases the manufacturer from any liability over and above the lawful rights of the customer.

The information above was correct at the time of going to press. The manufacturer reserves the right to make changes to the technical specifications without prior notice as deemed necessary to uphold the ongoing process of technical development.

E.A.T. European Audio Team is a Registered Trademark of Jozefina Lichtenegger.

This guide was produced by: E.A.T. European Audio Team. Copyright ©2018. All rights reserved.